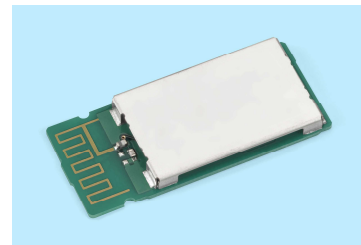


Dual Mode Bluetooth® Module BT801 Series

Dual Mode Communication Module Equipped with Bluetooth Classic and Bluetooth Low Energy

■ Features

1. Prepare 2 type modules : The BT801 is a complete module that implements both SPP*¹ and SSS*², a serial communication service developed by SMK.
The BT801-AP2 supports Apple's iAP*³ protocol in addition to the specifications of the BT801.
2. Surface mounting module with a built-in printed antenna.
3. Acts as Master/Slave or Central/Peripheral.



*1 SPP: A Bluetooth profile, which defines the procedures for sending and receiving data by using Bluetooth communication like a virtual serial port.

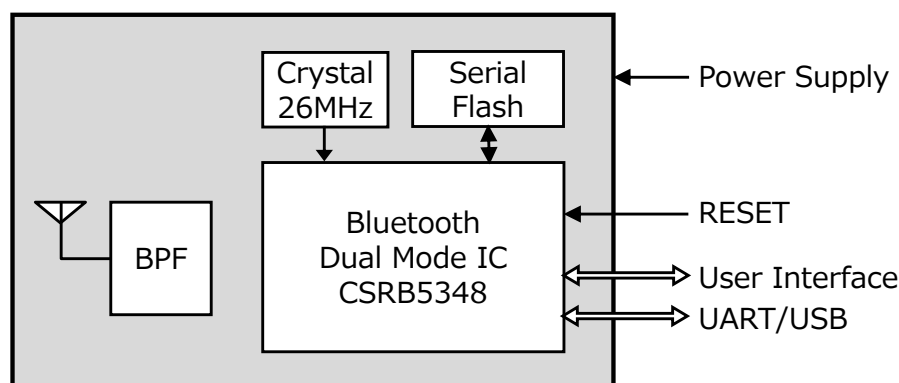
*2 SSS: Abbreviation of SMK Serial port Service. An original service of SMK for serial communication over Generic attribute profile (GATT).

*3 iAP: Abbreviation of iPod Accessory Protocol of Apple Inc. It will be necessary to join Apple Inc.'s MFi license program to use the BT801-AP2 module.

■ Major Specifications

| | |
|-----------------------------|--|
| Bluetooth Core Spec. | Version 5.0 |
| Dimension | 25.0mm(W)×11.0mm(D)×2.3mm(H) |
| Upper Interface | UART |
| RF Output Power | +8dBm(Typ.) |
| Supply Voltage | DC2.7~3.6V |
| Antenna | Printed Antenna |
| Operating Temperature Range | -40°C~+85°C |
| Certification | Bluetooth SIG, Radio Law : Japan, FCC, ISED |

■ Block Diagram



■ Applications

Mobile printers, barcode readers, measuring instruments, healthcare equipment, and smartphone accessories, etc.

※The Bluetooth® word mark and logos are registered trademarks owned by Bluetooth SIG, Inc. and any use of such marks by SMK is under license.