

Mini Jacks

JK-35WP Series :3.5mm Dia. Mini Jack (Waterproof Type)

■ Features

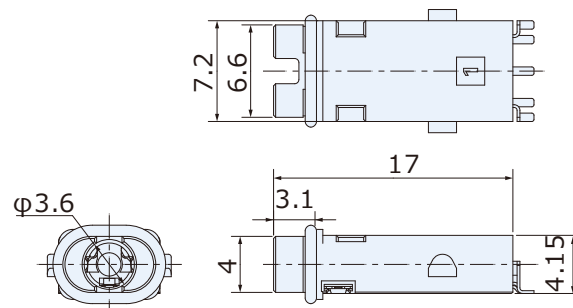
1. Equipped with IPX7 waterproof performance due to its unique structure.
2. Uses an SMT type connector for mounting and can also be mounted on FPC, etc.
3. Includes a 4-pin 1-switch function. Can connect to another signal in addition to L/R sound and GND (ground).
4. More compact and has a lower profile due to its unique structure.
5. Uses a plug-mediated sleeve make-switch system for plug detection, improving contact reliability due to a self-cleaning effect.

■ Specification

- Applicable Plug Diameter : $\phi 3.5\text{mm}$
- Number of Pins : 4
- Mounting Method : SMD
- Rating : 0.5A, 5V DC
- Contact Resistance : 50m Ω Max.
- Insulation Resistance : 500V DC, 100M Ω Min.
- Withstanding Voltage : 100V AC (for one minute)
- Operating Temperature Range : -40 $^{\circ}\text{C}$ to +85 $^{\circ}\text{C}$

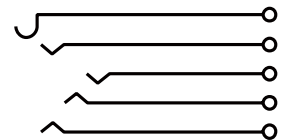


LGY2109-4900F

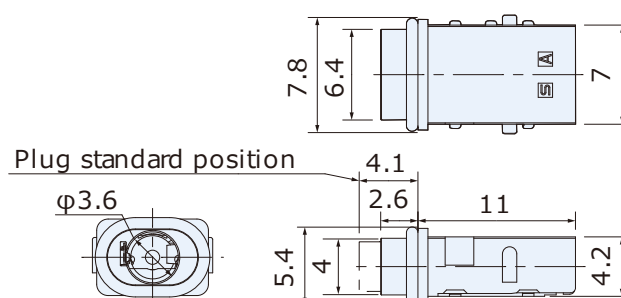


**4 Poles
Rib Type**

Circuit



LGY2109-7000F



4 Poles

Circuit

