

Push Switches

JPM (SMD) Series :MT Switches (SMD)

■ Features

1. The MT switches are small and low-profiled and most suitable for high-density mounting.
2. Model with earth terminal is also available for static charges protection.

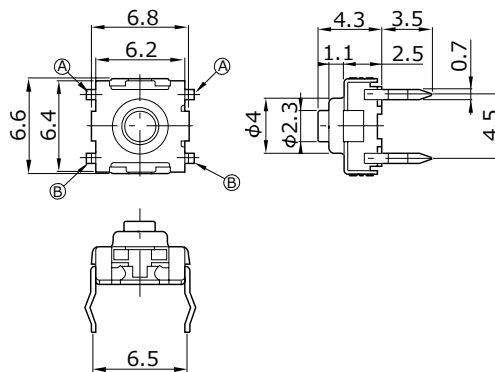
■ Specification

- External Dimension :6.4 X 6.2 X 4.3mm
- Rating :50mA, 12V DC
- Circuit :SPST
- Operating Life :300,000 cycles
- Operating Force :1.57N
- Travel :0.3mm

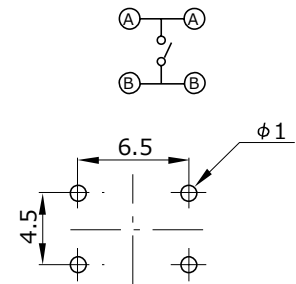


Discrete Type

JPM1120-0101



Circuit : SPST



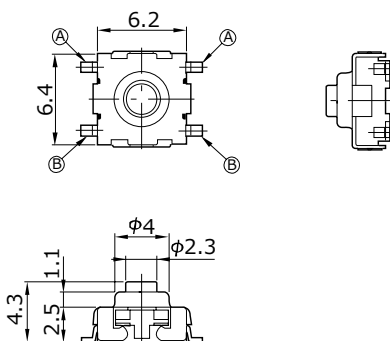
P. C. Board Dimension



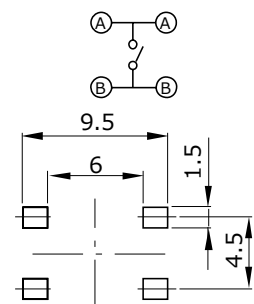
SMD Type

1,500 pcs/reel

JPM1120-1011



Circuit : SPST



P. C. Board Dimension

Push Switches

JPM (SMD) :MT Switches (SMD)

■ Features

1. The MT switches are small and low-profiled and most suitable for high-density mounting.
2. Model with earth terminal is also available for static chargesprotection.

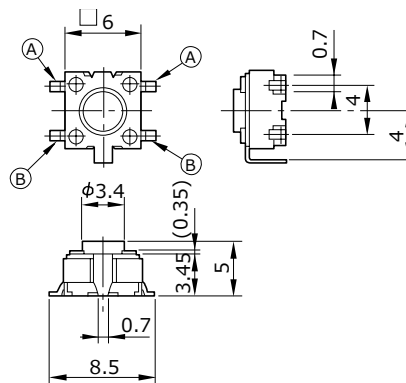
■ Specification

- External Dimension :6.0 X 6.0 X 5.0mm
- Rating :50mA, 12V DC
- Circuit :SPST
- Operating Life :100,000 cycles
- Operating Force :1.4N
- Travel :0.25mm

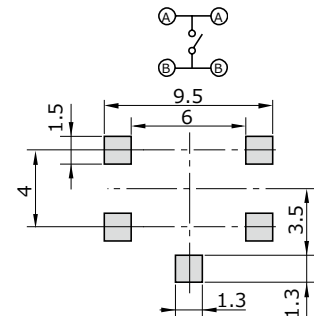


1,500 pcs/reel

JPM1030-1011



Circuit : SPST

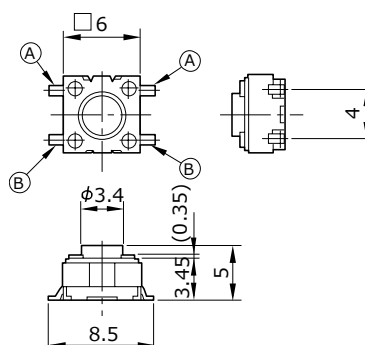


P. C. Board Dimension

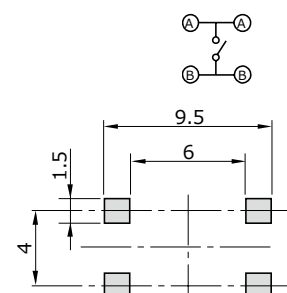


1,500 pcs/reel

JPM1030-0911



Circuit : SPST



P. C. Board Dimension

Push Switches

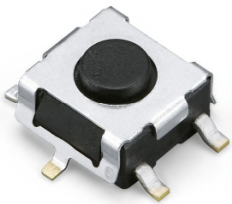
JPM (SMD) Series :MT Switches (SMD)

■ Features

1. The MT switches are small and low-profiled and most suitable for high-density mounting.
2. Model with earth terminal is also available for static chargesprotection.

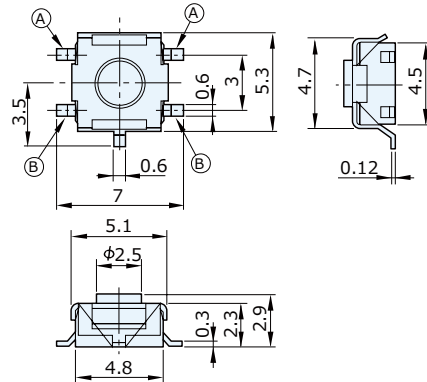
■ Specification

- External Dimension :5.3 X 5.1 X 2.9mm
- Rating :10mA, 12V DC
- Circuit :SPST
- Operating Life :100,000 cycles
- Operating Force :1.2N
- Travel :0.2mm

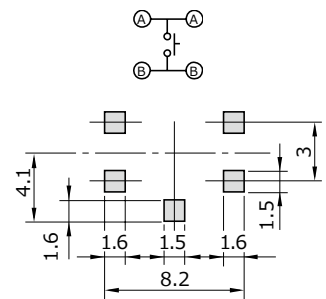


2,500 pcs/reel

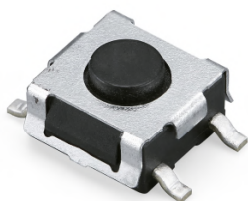
JPM1110-0811F



Circuit : SPST

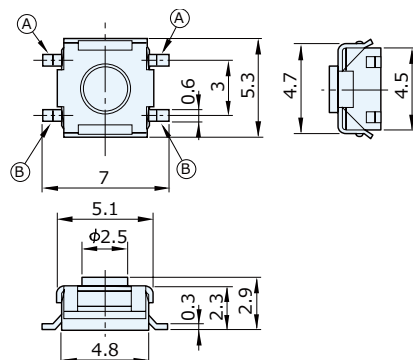


P. C. Board Dimension

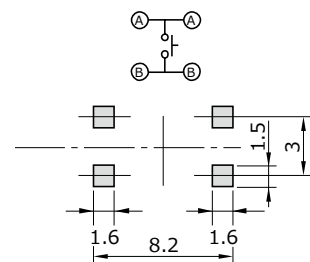


2,500 pcs/reel

JPM1110-0711F



Circuit : SPST



P. C. Board Dimension