

# Push Switches

## JPM (mini1dome) : mini One Dome Switches

### ■ Features

1. A thin design is realized due to the employment of our original design where no parts such as key stems are used.
2. Stronger mounting strength is realized due to the employment of a "spring contact system".
3. Solder-free mountability to equipment contributes to preservation of our environment when being recycled.
4. Sheet with actuator function.

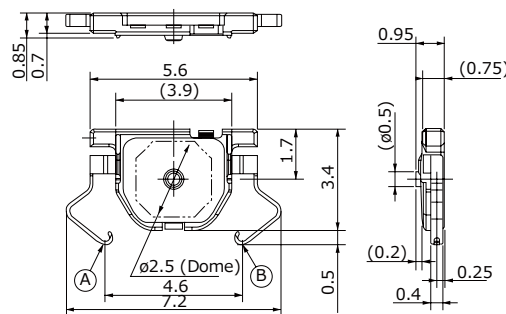
### ■ Specification

- External Dimension : 5.6 X 3.4 X 0.95 mm
- Rating : 10mA, 12V DC
- Circuit : SPST
- Operating Life : 200,000 cycles
- Operating Force : 2.2N (JPM1990-7511F/7314F), 4.4N (JPM1990-8611F)
- Travel : 0.16mm

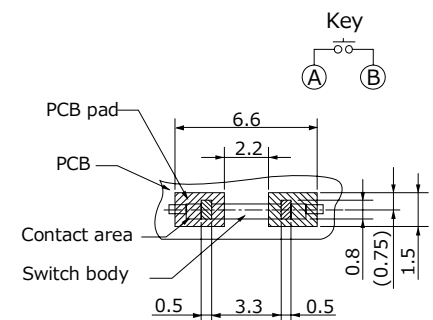


2,500 pcs/reel

### JPM1990-7511F/8611F



### Circuit : SPST

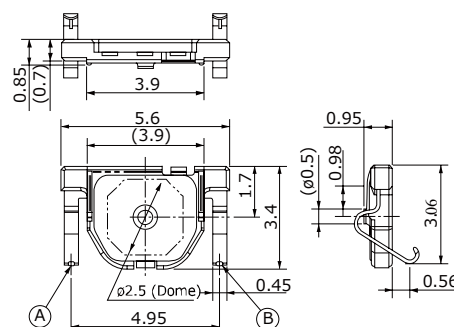


### P.C. Board Dimension

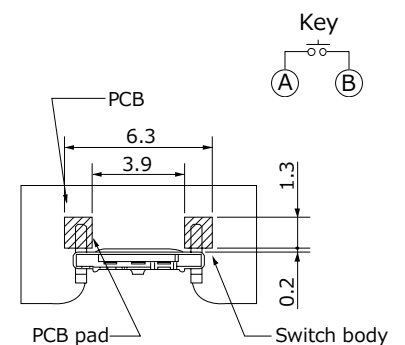


2,500 pcs/reel

### JPM1990-7314F



### Circuit : SPST



### P.C. Board Dimension