

Multi-Functional Devices

JXSIII Series :Multi-Way Switches

■ Features

1. A multi-functional switch capable of function selection in 4 directions and entry of the selected function.
2. Sharp index feedback is ensured by the metal contact structure employed.
3. Available in 2 version of discrete and SMD type.

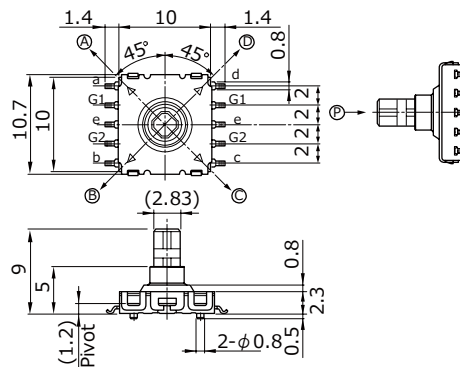
■ Specification

- External Dimension :10.7 X 10.0 X 9.0mm
- Rating :20mA, 12V DC
- Circuit :Lever SP4T Push SPST
- Operating Life :50,000 cycles
- Operating Force :Rotation :It depends on the part No., Push :3N
- Travel :Rotation :4 + 3/-2, Push:0.15mm



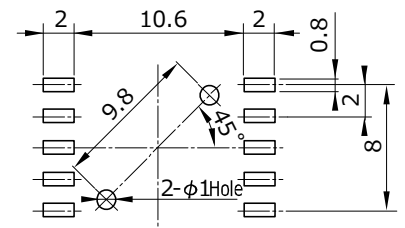
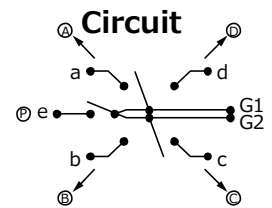
With Center Push
500 pcs/reel

JXS0000-0511



Operating Force (Rotation Direction) : 1.2±0.6N

Circuit



P. C. Board Dimension